



Self-Adhesive Sealing Tape Protected by Aluminium or Copper Film

Flashing Tapes

The Product

Ekobit is a bituminous self-adhesive waterproofing tape protected by a metal film in aluminium or copper, natural or coloured, reinforced with a polyester film. The adhesive bituminous compound is protected, until use, by a silicone release film.

Uses

- For protecting: metal, plastic, asbestos cement, roofs and coverings in general.
- For sealing: frames and skylights, parapets, glass and plastic structures.
- For repairing: tiles, gutters, metal pipes, metal plate or asbestos cement roofs.

Preparation of Installation Surface

Ekobit adheres and is compatible with most building materials. No special tools are required to install Ekobit tapes, a sharp knife and a pressing roller will be enough. The surfaces on which to install the Ekobit tapes must be dry and compact, clean and free of impurities.

If the installation surface is porous, Isoltema Primer will have to be applied in a quantity of +/- 250 gr/sqm. The use of Isoltema Primer is in any case advisable, and the manufacturers instructions must be followed. A wrong use of Primer can influence the tape efficiency.

Installation Procedures

Prepare the surface and proceed as follows:

- Choose the most suitable width and metal finish of the Ekobit tape;
- Unroll the Ekobit tape until the desired length is reached;
- Remove the silicone release film that covers the adhesive compound and position the Ekobit tape;
- Press with a roller or a cloth pad.

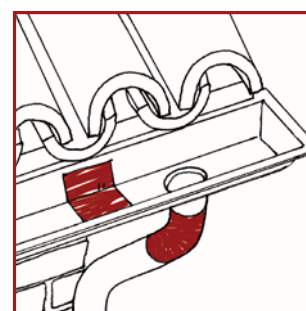
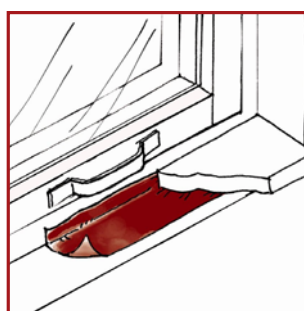
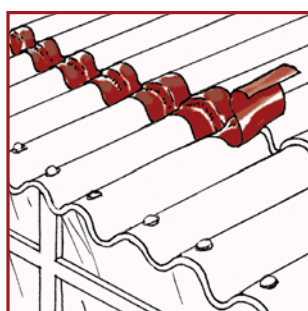
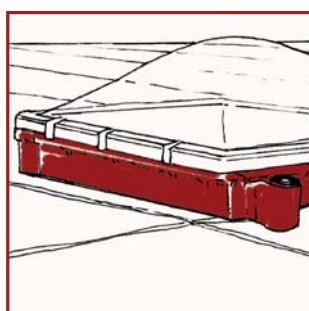
In case of overlapping, please use at least 5 cm.

Important Notes

Storage The quality and the characteristics of materials remain unaltered for a very long time. It is however best to use the product within 12 months.

Ekobit ALUMINIUM	VALUE	TEST
Thickness	1.5 mm	EN 1849 - I
U.V. Resistance	Resistant	-
Tensile Strength Long.	> 200 N/50mm	EN 12311 - I
Tensile Strength Trans.	> 200 N/50mm	EN 12311 - I
Elongation at Break Long.	> 20%	EN 12311 - I
Elongation at Break Trans.	> 20%	EN 12311 - I
Application Temperature	+5°C / +45°C	-
Service Temperature	-40°C / +80°C	-

Ekobit COPPER	VALUE	TEST
Thickness	1.5 mm	EN 1849 - I
U.V. Resistance	Resistant	-
Tensile Strength Long.	> 400 N/50mm	EN 12311 - I
Tensile Strength Trans.	> 400 N/50mm	EN 12311 - I
Elongation at Break Long.	> 10%	EN 12311 - I
Elongation at Break Trans.	> 10%	EN 12311 - I
Application Temperature	+5°C / +45°C	-
Service Temperature	-40°C / +80°C	-



For correct storage, a dry, covered place is best at a temperature between +5°C and +40°C.

The product is not affected by frost.

Caution and Safety The materials is not hazardous for normal uses and when used by skilled persons.

In particular conditions, it is possible to cut or injure oneself. Keep out of reach of children.

For further information refer to the Safety Data Sheet.

Classification for transport: Non Applicabile.

Inflammability classification: B2 (DIN 4102).

Reaction to fire: E (EN 11925 - 2; EN 13501 - 1).

The manufacturer disclaims all liability for product use and applications.

Dimensions and Packaging

Standard length: 10 mt.

Standard thickness: 1.5 mm.

Standard width:

■ **Ekobit Aluminium:** 5 - 7.5 - 10 - 15 - 20 - 22.5 - 30 - 45 - 50 - 60 - 100 cm.

■ **Ekobit Copper:** 5 - 7.5 - 10 - 15 - 20 - 22.5 - 30 - 45 - 50 cm.

Other widths, lengths and thicknesses are available on request.

The rolls are individually packed in shrink-wrap, placed in boxes and packed on pallets.

The figures shown on this product leaflet can vary within a tolerance of +/-5%.

The manufacturer reserves the right to change product characteristics at any time without prior notice.